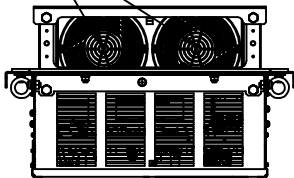
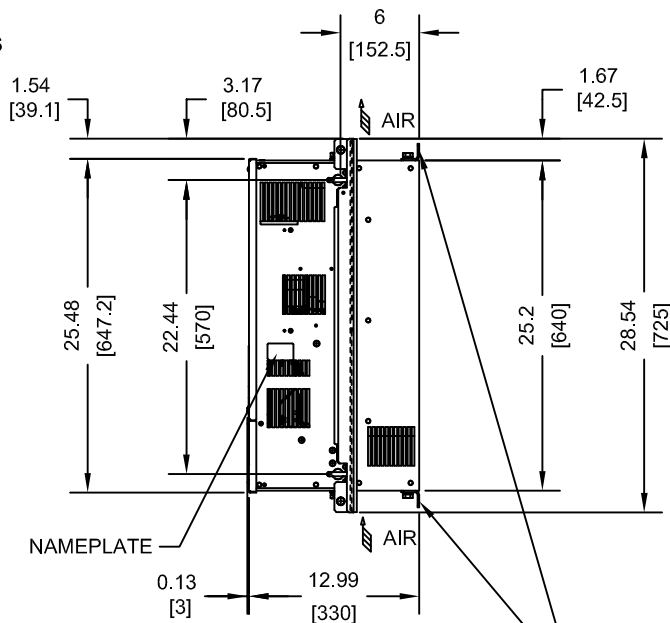
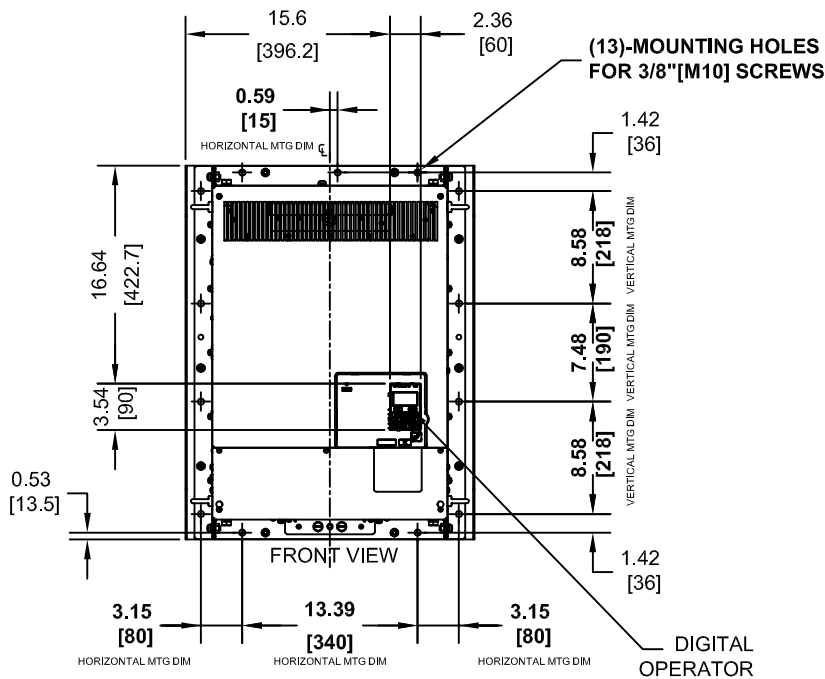
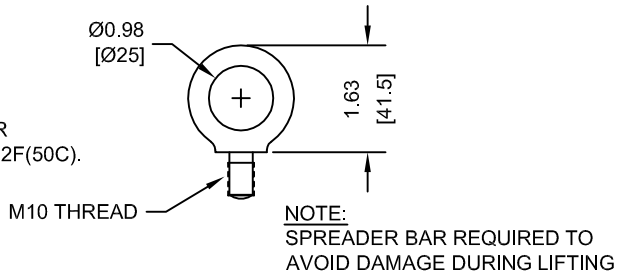


(2) EXTERNAL COOLING FANS

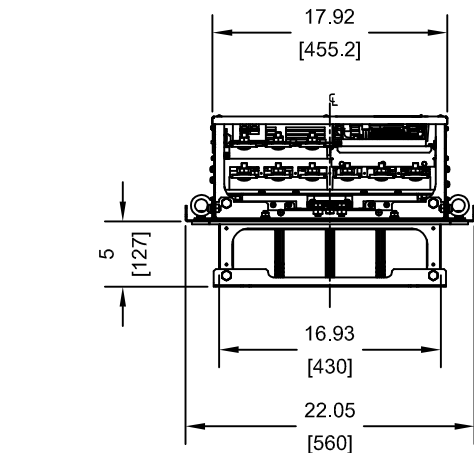


NOTE:
MAXIMUM SURROUNDING AIR
TEMPERATURE RATING IS 122F(50C).

LIFTING AND EYEBOLT DETAILS



(2)-MOUNTING BRACKETS
USED DURING TRANSPORT ONLY
REMOVE BEFORE INSTALLING



| MODEL # | INPUT TYPE | VOLTAGE 3-PHASE (VAC) | OUTPUT CURRENT (A) | WEIGHT LBS (Kg) | HEAT LOSS (W) (Fc=2kHz) | | |
|-----------|------------|-----------------------|--------------------|-----------------|-------------------------|------|------|
| | | | | | INT | EXT | TOT |
| 4T0208UXX | 12 PULSE | 380/480 | 208 | 172 (78) | 553 | 1746 | 2299 |

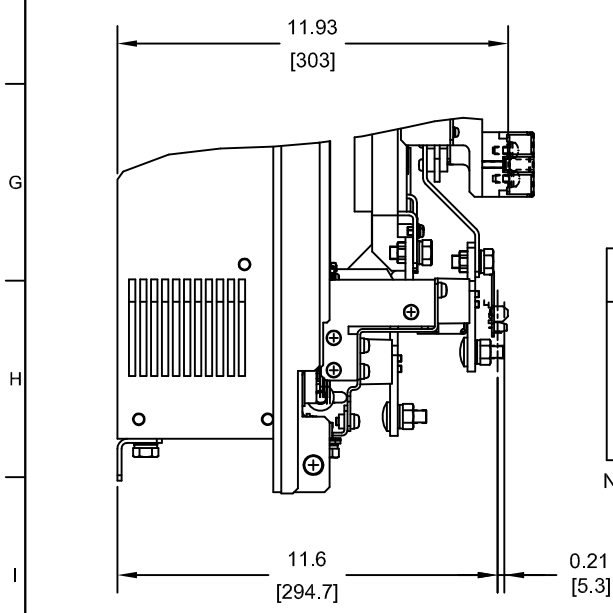
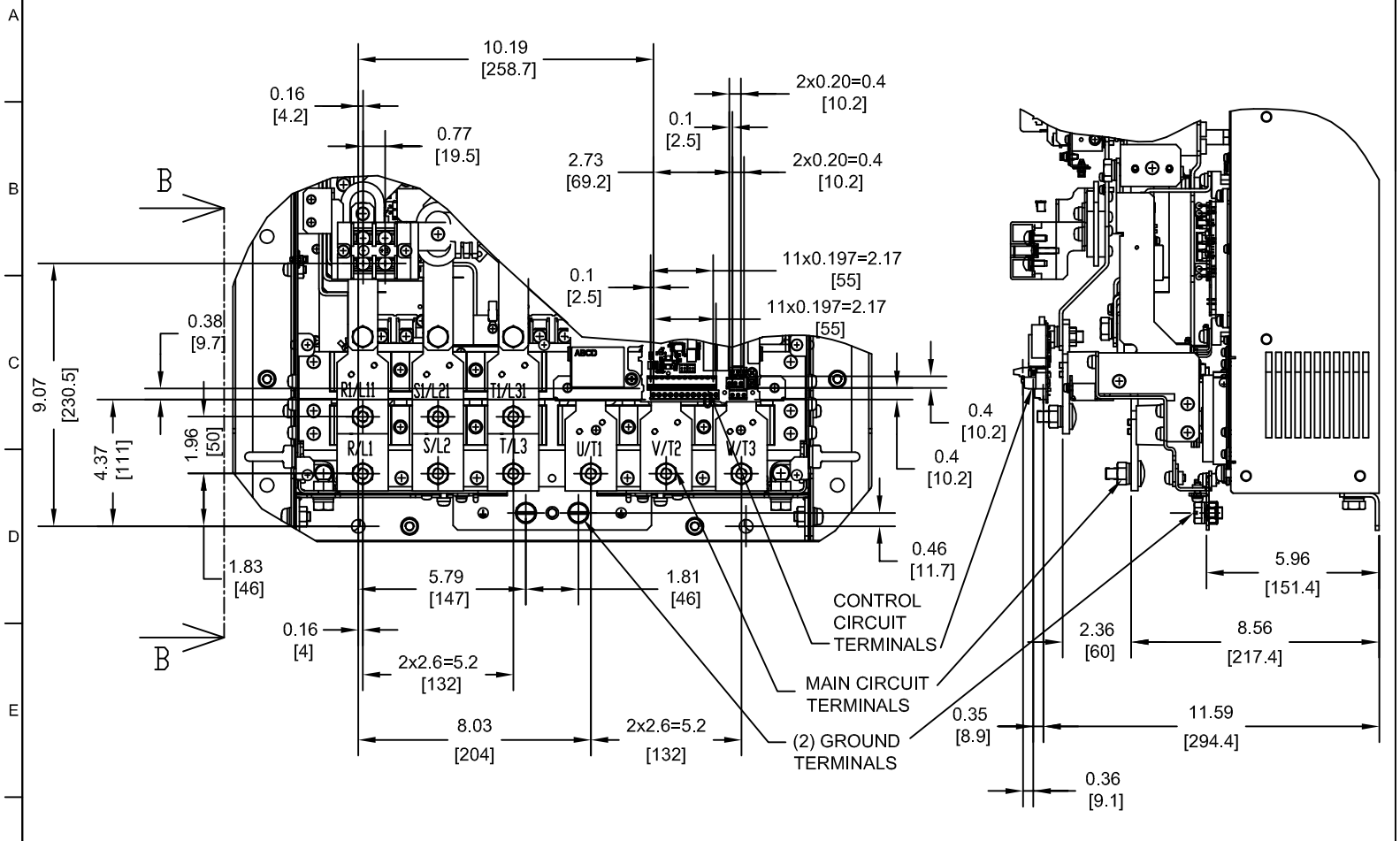
NOTE:
XX DENOTES AA-ZZ

INT=INTERNAL COMPONENTS
EXT=EXTERNAL HEATSINK
TOT=TOTAL

FOR ADDITIONAL DETAILS AND SPECIFICATIONS, CONSULT MANUAL

| | | | | |
|--------------------------|--|---|---|---|
| TOLERANCES / REFERENCES: | | <p>THIS DOCUMENT AND INFORMATION CONTAINED IN IT ARE CONFIDENTIAL, AND CANNOT BE COPIED OR DISCLOSED IN WHOLE OR IN PART WITHOUT THE EXPRESS WRITTEN CONSENT OF YASKAWA AMERICA, INC.</p> | DRAWN: J. MATTAS DATE: 5-29-14 | TITLE: Z1000 12 PULSE DIMENSION DRAWING FRAME SIZE 11 DESIGNED FOR IP54/TYP 12 ENCLOSURES 4T0208U |
| UNITS: IN [mm] | | | CHECKED: J. PIOTROWSKI DATE: 6-12-14 | SIZE: A REVISION: R00 PAGE: 1 of 3 |
| SCALE: 1:15 | | | TECH: J. BORJA DATE: 6-16-14 | DRAWING #: DD.Z1K12.FR11.FLNG |
| | | | APPROVED: J. CAIRO DATE: 7-2-14 | |

TERMINAL AND WIRING DETAILS (SCALE 1:6)



SECTION B-B

TERMINAL AND WIRE SPECIFICATIONS FOR MAIN CIRCUIT AND GROUND

| MODEL # | TERMINAL SYMBOL | TERMINAL SCREW | CLAMPING TORQUE lb.in.(N.m.) | WIRE RANGE AWG(mm ²) |
|---------|------------------------|----------------|------------------------------|----------------------------------|
| 4T0208U | R/L1, S/L2, T/L3 | M10 | 159.3 TO 203.6 (18 TO 23) | SEE NOTE |
| | R1/L11, S1/L21, T1/L31 | | | |
| | U/T1, V/T2, W/T3 | M6 | 22.1 TO 26.6 (2.5 TO 3.0) | 22-1/0 (0.3-53.5) |
| | ⊖, ⊕3 | M10 | 159.3 TO 203.6 (18 TO 23) | SEE NOTE |

NOTE: REFER TO APPLICABLE CODES FOR PROPER WIRE TYPE AND SIZE

FOR ADDITIONAL DETAILS AND SPECIFICATIONS, CONSULT MANUAL

| | | | | |
|--|--|---------------------------------------|--|--|
| TOLERANCES / REFERENCES: | | | DRAWN: J. MATTAS DATE: 5-29-14 | TITLE: Z1000 12 PULSE DIMENSION DRAWING FRAME SIZE 11 DESIGNED FOR IP54/TYPE 12 ENCLOSURES 4T0208U |
| UNITS: IN [mm] SCALE: BY VIEW | | | CHECKED: J. PIOTROWSKI DATE: 6-12-14 | DATE: 6-12-14 |
| THIS DOCUMENT AND INFORMATION CONTAINED IN IT ARE CONFIDENTIAL, AND CANNOT BE COPIED OR DISCLOSED IN WHOLE OR IN PART WITHOUT THE EXPRESS WRITTEN CONSENT OF YASKAWA AMERICA, INC. | | TECH: J. BORJA DATE: 6-16-14 | DATE: 6-16-14 | |
| | | APPROVED: J. CAIRO DATE: 7-2-14 | DATE: 7-2-14 | |
| | | ORIGINAL DESIGN: - | DATE: - | |
| | | | SIZE: A REVISION: R00 PAGE: 2 of 3 | |
| DRAWING #: | | | | |
| DD.Z1K12.FR11.FLNG | | | | |

A

B

C

D

E

F

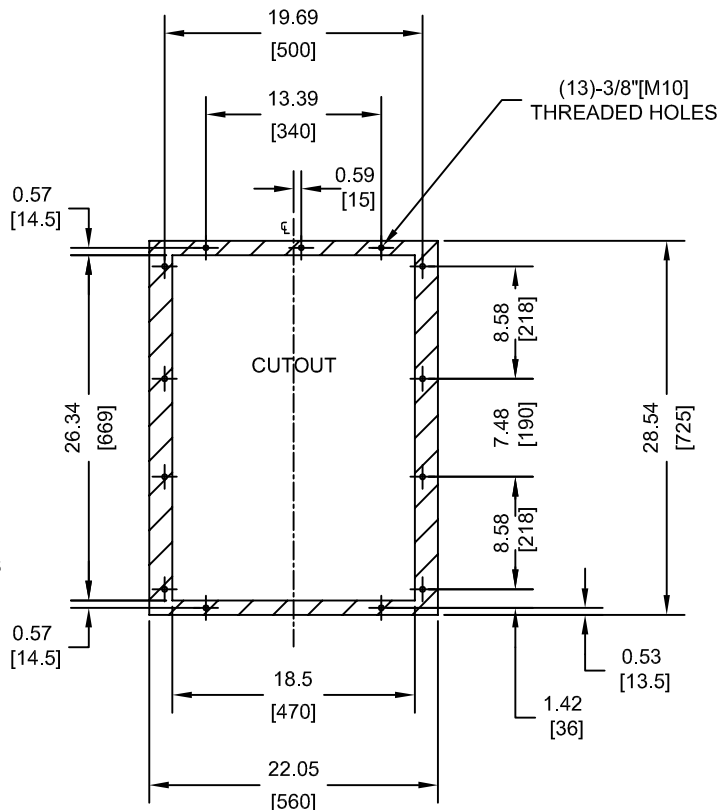
G

H

I

J


PANEL CUTOUT FOR EXTERNAL HEATSINK MOUNTING CONFIGURATION (SCALE 1:15)



NOTES:

1. CUTOUT TOLERANCES:
+/- 0.02IN (0.5MM)
2. EXPOSED HEATSINK DEPTH
D=5.00" MINUS PANEL THICKNESS
3. MIN. RECOMMENDED PANEL
THICKNESS: 10 GA

FOR ADDITIONAL DETAILS AND SPECIFICATIONS, CONSULT MANUAL

| | | | | | | |
|---|-------------------|--|----------------------------------|------------------|--|-----------------|
| TOLERANCES / REFERENCES: | |  <p>THIS DOCUMENT AND INFORMATION CONTAINED IN IT ARE CONFIDENTIAL, AND CANNOT BE COPIED OR DISCLOSED IN WHOLE OR IN PART WITHOUT THE EXPRESS WRITTEN CONSENT OF YASKAWA AMERICA, INC.</p> | DRAWN: J. MATTAS | DATE: 5-29-14 | TITLE: Z1000 12 PULSE DIMENSION DRAWING FRAME SIZE 11 DESIGNED FOR IP54/TYPE 12 ENCLOSURES 4T0208U | |
| | | | CHECKED: J. PIOTROWSKI | DATE: 6-12-14 | | |
| | | | TECH: J. BORJA | DATE: 6-16-14 | | |
| | | | APPROVED: J. CAIRO | DATE: 7-2-14 | | |
| UNITS: IN [mm] | SCALE: BY VIEW | ORIGINAL DESIGN: - | DATE: - | SIZE: A | REVISION: R00 | PAGE: 3 of 3 |
| DRAWING #: DD.Z1K12.FR11.FLNG | | | | | | |